



## A Tallysman Accutenna® TW2600 Magnet Mount Iridium™ Certified Antenna

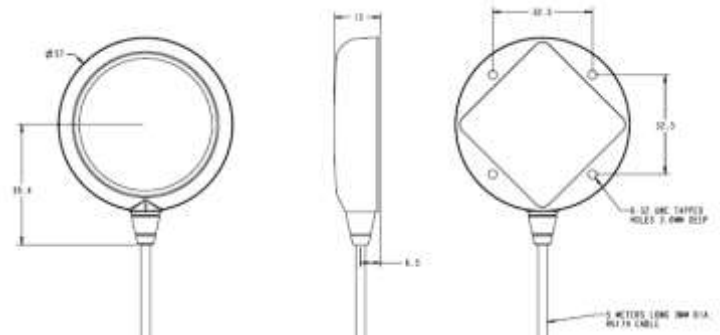
The TW2600 employs Tallysman's unique *Accutenna* technology in a magnet mount, passive right hand circularly polarised antenna for the 1616 to 1626.5 MHz frequency band, certified and specially designed to maximise the performance of Iridium™ Voice and Data Modems.

The TW2600 features a high performance dual-feed patch element that provides great axial ratio (3dB max) over the entire Iridium™ frequency band, thus signals at the band edges remain truly circular, unlike the response of single feed antennas.

The TW2600 is housed in a compact, industrial-grade weather-proof, magnet mount enclosure, with threaded base holes for screw down attach.



TW2600 Dimensions (mm)



### Applications

- Iridium™ Voice and Data Applications
- Sea & Land Container Tracking
- Military & Security
- Fleet Management & Asset Tracking
- Marine & Avionics Systems
- Law Enforcement & Public Safety

### Features

- Custom high gain, 4.25 dBic dual-feed patch
- Great axial ratio, 3 dB over full bandwidth
- 15 KV ESD circuit protection
- IP67 weather proof housing
- Robust Industrial grade enclosure
- Magnet or screw mount

### Benefits

- Excellent circular polarized signal transmission
- Industrial temperature range
- Rugged Design
- Ideal for harsh environments
- RoHS compliant
- Remote SBD antenna



# TW2600 Magnet Mount Iridium™ Certified Antenna

## Specifications V<sub>cc</sub> = 3V, over full bandwidth, T=25°C

### Antenna

Architecture	Dual, quadrature feeds
Antenna Gain (100mm ground plane)	4.25 dBic
Axial Ratio (over full bandwidth)	≤3 dB

### Electrical

Architecture	Hybrid 90° phase signal splitter
Frequency Bandwidth	1616 to 1626.5 MHz
Polarization	RHCP
Cross Polarization Rejection	typically 20dB
Gain flatness	< 0.5 dB, from 1616 to 1626.5 MHz
VSWR (at antenna)	<1.5:1 typ. 1.8:1 max.
Return Loss Bandwidth(10 dB return loss)	>20 MHz
ESD Circuit protection	15 KV air discharge

### Mechanicals & Environmental

Mechanical Size	57 mm dia. x 15 mm H
Cable	RG174 / 50 cm, custom lengths optional
Operating Temp. Range	-40 to +85 °C
Enclosure	Radome: ASA plastic, Base: Zamak white metal
Weight	150 g
Attachment Method	Magnet or permanent (pre-tapped 4 x 6-32UNC)
Environmental	IP67 and RoHS compliant
Shock	Vertical axis: 50 G, other axes: 30 G
Vibration	3 axis, sweep = 15 min, 10 to 200 Hz sweep: 3 G

### Ordering Information

TW2600 – Iridium™ antenna, 33-2600-xx-yyyy  
Where xx = connector type and yyyy = cable length in mm

Please refer to the Ordering Guide (<http://www.tallysman.com/wp-content/uploads/Current-Ordering-Guide.pdf>) for the current and complete list of available connectors.

### Tallysman Wireless Inc

36 Steacie Drive  
Ottawa ON K2K 2A9 Canada  
Tel +1 613 591 3131 Fax 613 591 3121 [sales@tallysman.com](mailto:sales@tallysman.com)

The information provided herein is intended as a guide only and is subject to change without notice. This document is not to be regarded as a guarantee of performance. Tallysman Wireless Inc. hereby disclaims any or all warranties and liabilities of any kind. © 2011 Tallysman Wireless Inc. All rights reserved. Rev 7.2