

PolaNt Choke Ring B3/E6

High precision geodetic choke ring antenna



Key Features

- ▶ Support current and planned GNSS signals from GPS, GLONASS, Galileo, BeiDou, IRNSS, QZSS and SBAS
- ▶ BeiDou B3 and Galileo E6 are supported
- ▶ High phase center stability
- ▶ IGS calibration available

Septentrio's PolaNt Choke Ring B3/E6 is a high precision geodetic multi-frequency multi-constellation choke ring antenna for use with Septentrio's PolARx family of high performance multiple-frequency GNSS reference receivers. It supports current and planned GNSS signals including BeiDou B3 and Galileo E6.

Our PolaNt Choke Ring antenna incorporates low-noise amplifiers, powerful filters for out-of-band interference rejection combined with Superior multipath rejection and a high phase centre stability.

It is a competitive alternative for Dorne & Margolin based antennas and is designed for high-end applications and reference station operations. The sealed radome allows reliable signal reception even in difficult conditions

NavtechGPS

+1-703-256-8900 or 800-628-0885
info@NavtechGPS.com
www.NavtechGPS.com

PolaNt Choke Ring B3/E6

PERFORMANCE

GNSS Frequencies

L-Band	
GPS	L1, L2, L5
GLONASS	L1, L2, L3
Galileo	E1, E5ab, E6
BeiDou	B1, B2, B3
IRNSS	L5
Polarization	RHCP
Axial Ratio	3 dB max

Radiation Coverage

$\theta = 0^\circ$	6.0 dBic
$0^\circ < \theta < 75^\circ$	-2.0 dBic
$75^\circ \leq \theta < 80^\circ$	-3.0 dBic
$80^\circ \leq \theta < 85^\circ$	-4.0 dBic
$\theta = 90^\circ$	-5.0 dBic

Amplifier

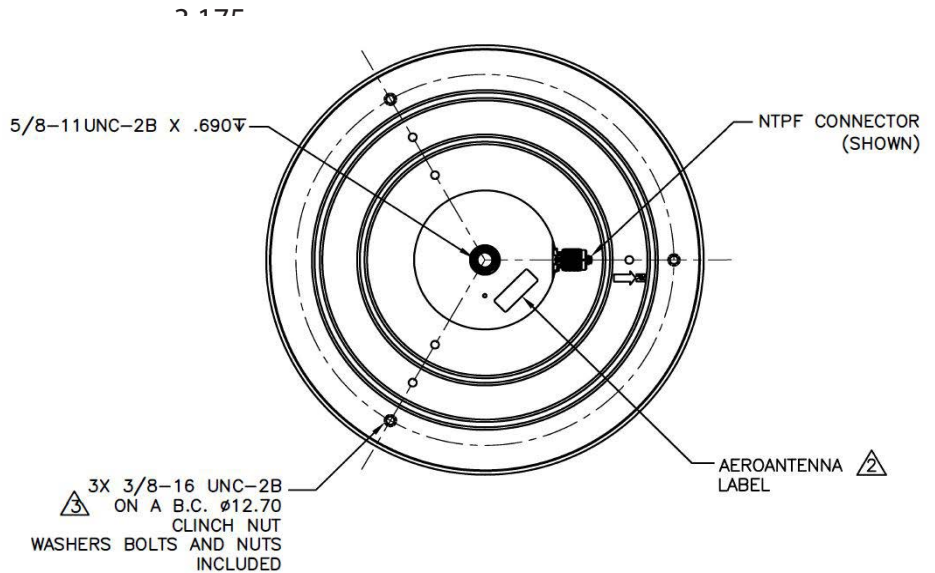
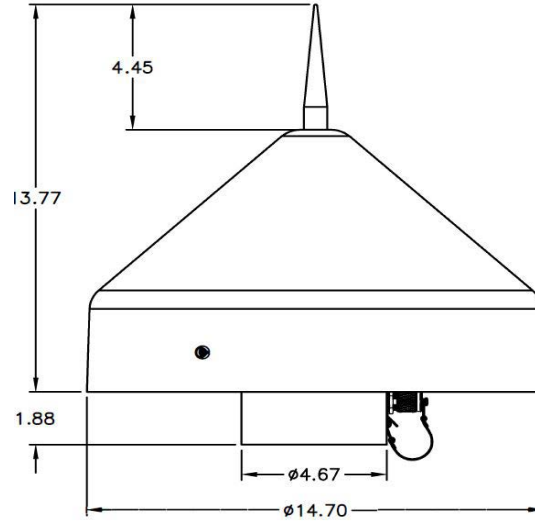
Gain	39 ± 2 dB
Noise Figure	2.6 dB max
Input Voltage	+4.2 to +15 VDC
Current	65 mA (typ)
Power handling	1 W
Impedance	50 Ω
VSWR	$\leq 2.0:1$

PHYSICAL AND ENVIRONMENTAL

Finish	UV Resistant Polyurethane Enamel, white
Weight	11 lb (4.98 kg)
Diameter	14.8 in (376 mm)
Connector	N-Type Female
Operating Temperature	-67 °C to +185 °F (-55 °C to +85 °C)
Designed to	DO-160C
IGS Reference	SEPCHOKE_B3E6

DIMENSIONS

Dimensions in inches



Europe

Greenhill Campus
Interleuvenlaan 15i
3001 Leuven, Belgium
+32 16 30 08 00

Americas

Suite 200,
23848 Hawthorne Blvd
Torrance, CA 90505, USA
+1 310 541-8139

Asia-Pacific

Level 901, The Lee Gardens
33 Hysan Avenue
Causeway Bay, Hong Kong
+852 3959 8680

