



Contact NavtechGPS for product details. www.NavtechGPS.com
+1-703-256-8900 • 800-628-0885 • info@navtechgps.com

KEY FEATURES

Comprehensive GNSS support, including GPS Modernization signals, GLONASS, and Galileo

Rugged Package ideal for vehicle applications

5/8" x 11 Mounting

Sub-centimeter phase center repeatability

The Trimble LV59 GNSS Antenna has been designed to support centimeter level accuracy on land and marine applications. The rugged 5/8" x 11 female threaded mount and all aluminum base allows the antenna to be used in the most rugged of environments.

COMPREHENSIVE GNSS SUPPORT

The Trimble LV59 GNSS antenna offers support for present and future GNSS signals, including GPS L5, GLONASS and Galileo. This ensures that the antenna will operate with your present and most likely future GNSS receivers.

ROBUST, LOW-MULTIPATH GPS ANTENNA

The antenna resists unwanted signal interference or multipath, which can cause inaccurate measurements. Multipath is caused by signals being reflected from surfaces such as the ground, surrounding trees, or buildings.

FLEXIBILITY

The antenna is a survey rover type of design. This allows the use of standard survey accessories for either pole or vehicle mounting. Alternatively create your own 5/8" x 11 bolt mounting. This is an ideal design for customers building systems that require easy removal of the antenna. The TNC connector is located on the underside of the unit ensuring the attached cable is also protected from the environment.



Trimble LV59 GNSS Antenna

TRIMBLE LV59 GNSS ANTENNA

PERFORMANCE

- Broad GNSS Frequency Tracking Band Including:
 - GPS: L1, L2, L5
 - GLONASS: L1, L2, L3
 - Galileo: E1, E2, E5,
 - SBAS: WAAS, EGNOS, QZSS, Gagan, MSAS, and OmniStar
- Quality signal tracking
- TNC female signal connector
- Small cross-sectional area to reduce wind loading
- Low voltage, low power consumption
- Integral low noise amplifier
- 5/8" x 11UNC female threaded aluminum mounting point
- Powered by GNSS receiver via coaxial cable
- Rugged UV resistant radome and aluminum base designed for machine environments
- High gain for reliable tracking in difficult environments

ELECTRICAL

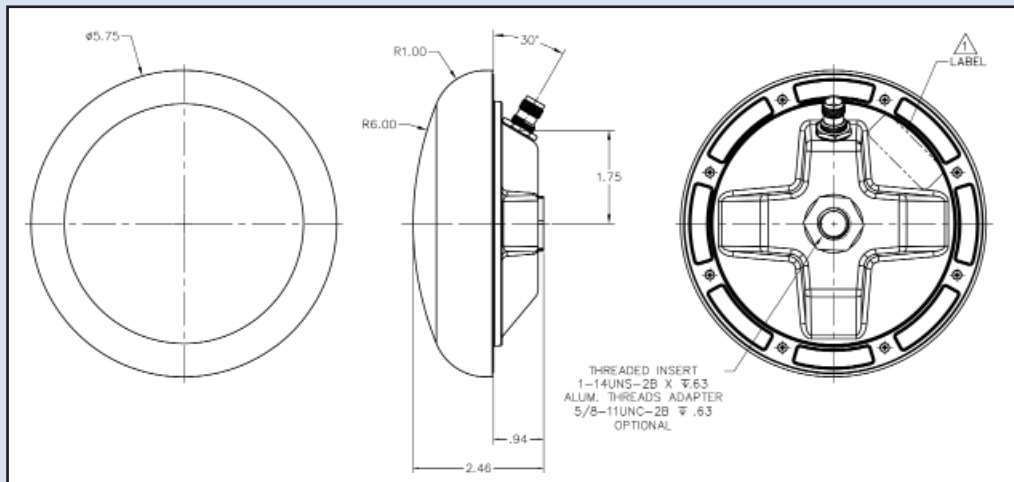
Signal gain..... 39 dB
 Voltage..... 4.2 V DC to 15 V DC
 Polarization..... Right Hand Circular
 Axial Ratio..... 3 dB Max @ boresight
 Amplifier..... Noise Figure : 2.6 dBMax
 Impedance : 50 Ohms
 VSWR : ≤ 2.0:1

HARDWARE

Dimensions..... 14.62 cm diameter x 6.25 cm height
 (5.75 in diameter x 2.46 in height)
 Weight..... 0.48 kg (1.06lb)
 Operating Temperature..... -55 °C to +85 °C (-67 °F to +185 °F)
 Finish..... UV resistant white radome with aluminum base
 Compliance ROHS

ENVIRONMENTAL QUALIFICATIONS

CONDITIONS	DO-160D SECTION	STRING CATEGORY	DESCRIPTION
Temperature Variation	5	A	-55°C to +85°C, 10°/min, 2 cycles
Humidity	-	Method 507.4	MIL-STD-810-F
Shock	-	Method 516.5	MIL-STD-818-F Procedure II
Vibration	-	Method 514.5C-3	MIL-STD-810-F, Section 514.5-CVII



© 2012, Trimble Navigation Limited. All rights reserved. Trimble and the Globe & Triangle logo are trademarks of Trimble Navigation Limited, registered in the United States and in other countries. All other trademarks are the property of their respective owners.



AMERICAS & ASIA-PACIFIC TRIMBLE NAVIGATION LIMITED

Integrated Technologies
 510 DeGuigne Drive
 Sunnyvale, CA 94085
 USA
 +1-408-481-8070 Phone
 +1-408-481-8984 Fax
 sales-intech@trimble.com

EUROPE & MIDDLE EAST TRIMBLE GERMANY GmbH

Integrated Technologies
 Am Prime Parc
 1165479 Raunheim,
 Germany
 Phone +49 (6142) 177-2135
 Fax +49 (6142) 177-2136
 emeasales-intech@trimble.com

CHINA TRIMBLE NAVIGATION LIMITED

Integrated Technologies
 311 Fute (M) Road, 3/F
 Wai Gaoqiao Free Trade Zone
 Pudong, Shanghai 200131
 China
 Email: chinasales-intech@trimble.com

RUSSIA TRIMBLE NAVIGATION LIMITED

Integrated Technologies
 Tel: +7 495 5041081
 Email: rusales-intech@trimble.com