

HC977

HC977 Triple Band Helical Antenna + L band

Frequency Coverage: L1/L2/L5/G1/G2/G3/E1/E5a/E5b/B1/B2/B2a + L band

Overview

The lightweight HC977 helical antenna is designed and crafted for precision positioning and covers the GPS/QZSS-L1/L2/L5, GLONASS-G1/G2/G3, Galileo-E1/E5a/E5b, and BeiDou-B1/B2/B2a frequency bands, as well as L-band correction services.

Weighing only 42 g, the HC977 features a precision-tuned helix element that provides excellent axial ratios and operates without the requirement of a ground plane, making it ideal for a wide variety of applications including unmanned aerial vehicles (UAVs).

The HC977 features an industry-leading low current, low noise amplifier (LNA) that includes an integrated low-loss pre-filter to protect against harmonic interference from high amplitude interfering signals, such as 700 MHz band LTE and other near in-band cellular signals.

The HC977 is protected by a robust, military-grade plastic enclosure with an integrated SMA connector for screw-on mounting that securely seals the unit with an O-ring, complying with IP67 standards. The enclosure also provides three threaded holes in the base for secure attachment of the unit.

*The HC977 replaces the HC975.



Applications

- Autonomous unmanned aerial vehicles (UAVs)
- Precision GNSS positioning
- Precision land survey positioning
- Mission-critical GNSS timing
- Safety & security
- Network timing & synchronization

Features

- Very low noise preamp: 1.6 dB
- Axial ratio: ≤ 0.5 dB at zenith
- LNA gain: 28 dB typ. or 35 dB typ.
- Low current: 15 mA typ. or 21 mA typ.
- ESD circuit protection: 15 kV
- Invariant performance from: 2.2 to 16 VDC
- IP67, REACH, and RoHS compliant

Benefits

- Extremely lightweight (42 g)
- Ideal for L1/L2/L5, E1/E5a/E5b RTK surveying systems
- Great multipath rejection
- Increased system accuracy
- Excellent signal-to-noise ratio

HC977 Triple Band Helical Antenna + L band

Frequency Coverage: L1/L2/L5/G1/G2/G3/E1/E5a/E5b/B1/B2/B2a + L band

Antenna

Technology Triple frequency, RHCP quadrifilar helix

		Gain dBic typ. at Zenith	Axial Ratio dB at Zenith
GNSS			
GPS / QZSS	L1	2.5	≤ 0.5
	L2	2.0	≤ 0.5
	L5	0.3	≤ 0.5
GLONASS	G1	1.4	≤ 0.5
	G2	0.5	≤ 0.5
	G3	2.1	≤ 0.5
Galileo	E1	2.5	≤ 0.5
	E5A	0.3	≤ 0.5
	E5B	2.2	≤ 0.5
	E6	-	-
BeiDou	B1	2.5	≤ 0.5
	B2	2.2	≤ 0.5
	B2a	0.3	≤ 0.5
	B3	-	-
IRNSS / NavIC	L5	0.3	≤ 0.5
QZSS	L6	-	-
L-Band Services (1525 MHz - 1559 MHz)		1.5	≤ 0.5
Satellite Communications			
Iridium		-	-
Globalstar		-	-
Other			
Axial Ratio at 10°	-	Efficiency	-
PC Variation	-		

Mechanicals

Size	44.2 mm (dia.) x 62.4 mm (h.)
Weight (including O-Ring)	42 g
Available connectors	SMA
Radome	Radome and Base: EXL9330
Mount	3 M2.5 screws

Environmental

Operating Temperature	-40 °C to +85 °C
Storage Temperature	-50 °C to +95 °C
Vibration	MIL STD 810D - 2 hr per axis (X,Y,Z)
Shock	-
Salt Fog	-
IP Rating	IP67 (housing)
Compliance	IPC-A-610, FCC, RED / CE Mark, RoHS, REACH

Warranty:

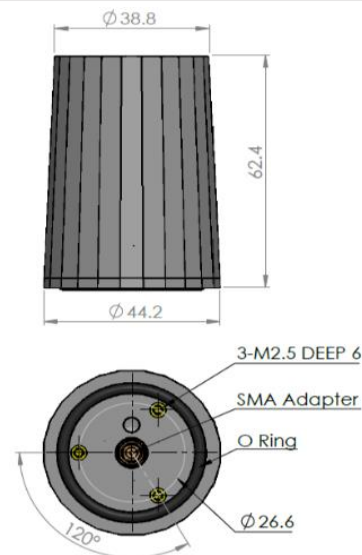
Parts and Labour	One year (extended warranty available)
------------------	--

Low Noise Amplifier (LNA) - Measured at 3V and 25°C

Frequency Bandwith		Out of Band Rejection	
		Upper Band	Lower Band
1525 - 1606 MHz	1164 - 1254 MHz	< 1400 MHz > 36 dB < 1450 MHz > 44 dB > 1700 MHz > 28 dB	< 1000 MHz > 63 dB < 1100 MHz > 38 dB < 1325 MHz > 57 dB

Architecture	pre-filter → LNA
Gain	28 dB typ. or 35 dB typ.
Noise Figure	1.6 dB typ.
VSWR	< 1.5:1 typ. 1.8:1 max.
Supply Voltage Range	2.2 to 16 VDC
Supply Current	15 mA typ. (28 dB) 21 mA typ. (35 dB)
ESD Circuit Protection	15 kV air discharge
P 1dB Output	L1 - 22.7 dBm L2, L5 - 25.1 dBm
Group Delay	2 ns @ L1 5 ns @ L2

Mechanical Diagram



Ordering Information

Part Number **33-HC977-xx**

where xx = Gain in dB

Please refer to our **Ordering Guide** to review available radomes and connectors at: <https://www.tallysman.com/resource/tallysman-ordering-guide/>

© 2019 Tallysman Inc. All rights reserved. Tallysman, the "When Precision Matters" tag line and the Tallysman logo are trademarks or registered trademarks of Tallysman Inc. and/or its affiliates in Canada and certain other countries. All other trademarks mentioned in this document are the property of their respective owners. The information presented is subject to change without notice. Tallysman assumes no responsibility for any errors or omissions in this document. Tallysman Wireless Inc. hereby disclaims any or all warranties and liabilities of any kind.



Contact NavtechGPS for product details. www.NavtechGPS.com
+1-703-256-8900 • 800-628-0885 • info@navtechgps.com